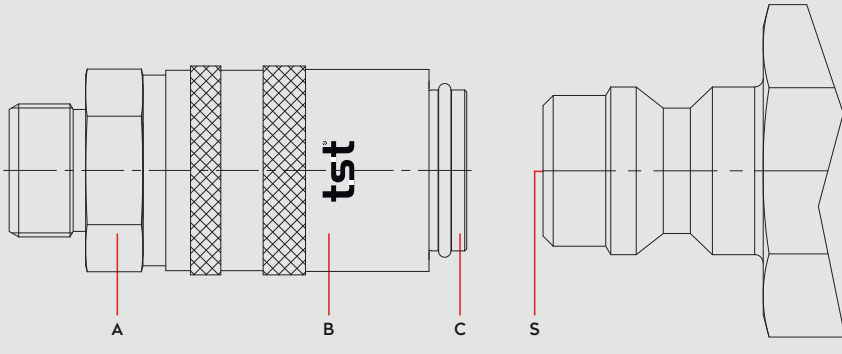




Materials



Material Code

- A = Brass
- B = Brass
- C = Brass
- S = Brass

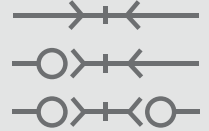


0 - 25 bar



-26°C to + 200°C (FPM)

Shut Off Type



OV250 - 00865
OV250 - 00500 (valved)

Scandinavian Serie

DN

6 mm

Options

E1

E2

NICKEL

Applications

Cooling System

Compatible with

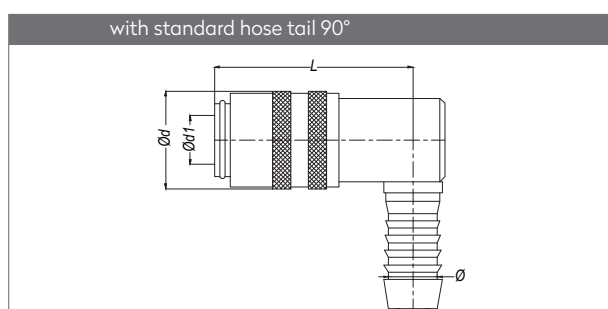
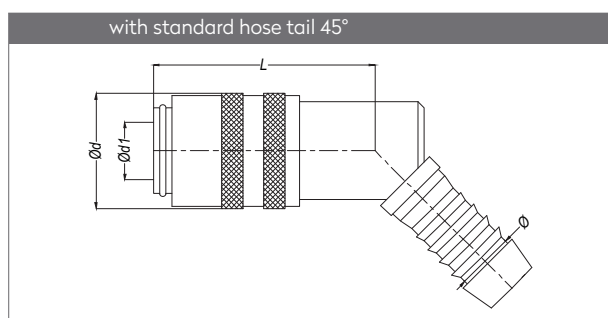
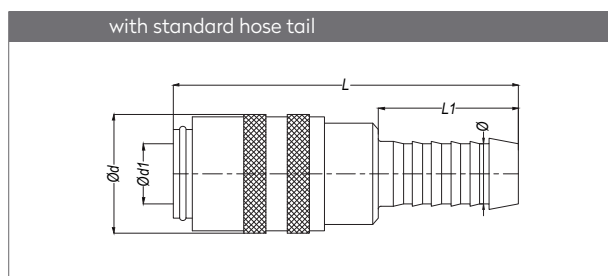
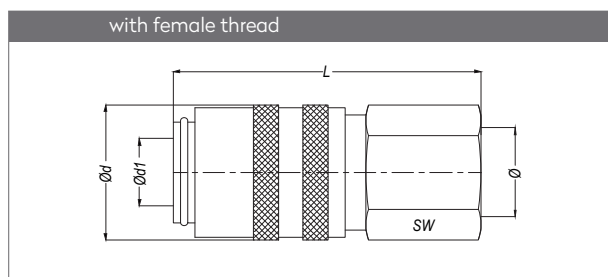
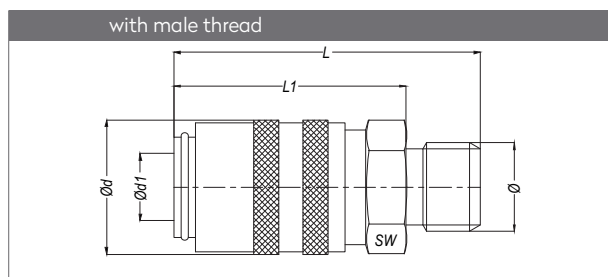
DYROS
NITO

10


 MOULD COOLING COUPLINGS
 KÜHLUNGSELEMENTE FÜR WERKZEUGE

SERIE 010

QUICK COUPLINGS SCHNELLKUPPLUNGEN



| ↻ / With Valve | ← / Without Valve | Ø | Ød | Ød1 | L | L1 | SW |
|----------------|-------------------|----------|----|-----|------|------|----|
| CSK 010-EG 10 | SK 010-EG 10 | BSP 1/8" | 20 | 10 | 43.5 | 34.5 | 17 |
| CSK 010-EG 13 | SK 010-EG 13 | BSP 1/4" | 20 | 10 | 45.5 | 34.5 | 17 |
| CSK 010-EG 17 | SK 010-EG 17 | BSP 3/8" | 20 | 10 | 45.5 | 34.5 | 19 |

| ↻ / With Valve | ← / Without Valve | Ø | Ød | Ød1 | L | SW |
|----------------|-------------------|----------|----|-----|------|----|
| CSK 010-DG 13 | SK 010-DG 13 | BSP 1/4" | 20 | 10 | 45.5 | 17 |
| CSK 010-DG 17 | SK 010-DG 17 | BSP 3/8" | 20 | 10 | 45.5 | 19 |

| ↻ / With Valve | ← / Without Valve | Ø | Ød | Ød1 | L | L1 |
|----------------|-------------------|----|----|-----|------|------|
| CSK 010-09 | SK 010-09 | 9 | 20 | 10 | 58.1 | 23.5 |
| CSK 010-10 | SK 010-10 | 10 | 20 | 10 | 58.1 | 23.5 |
| CSK 010-13 | SK 010-13 | 13 | 20 | 10 | 58 | 23.5 |

| ↻ / With Valve | ← / Without Valve | Ø | Ød | Ød1 | L |
|----------------|-------------------|----|----|-----|------|
| CSK 010-10-45° | SK 010-10-45° | 10 | 20 | 10 | 38.5 |
| CSK 010-13-45° | SK 010-13-45° | 13 | 20 | 10 | 38.5 |

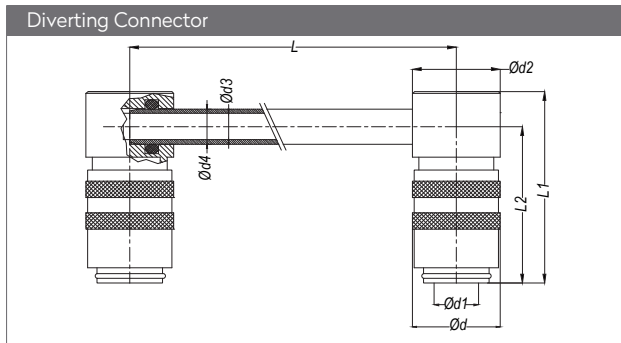
| ↻ / With Valve | ← / Without Valve | Ø | Ød | L |
|----------------|-------------------|----|----|------|
| CSK 010-10-90° | SK 010-10-90° | 10 | 20 | 40.5 |
| CSK 010-13-90° | SK 010-13-90° | 13 | 20 | 40.5 |

MOULD COOLING COUPLINGS
KÜHLUNGSELEMENTE FÜR WERKZEUGE

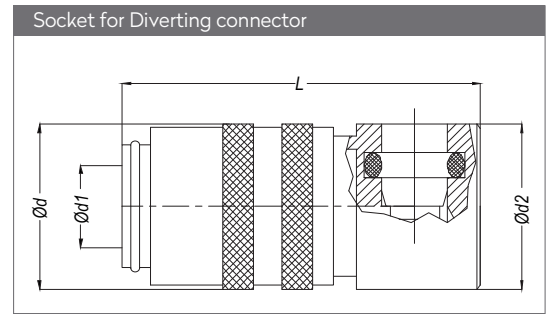
SERIE 010



QUICK COUPLINGS SCHNELLKUPPLUNGEN



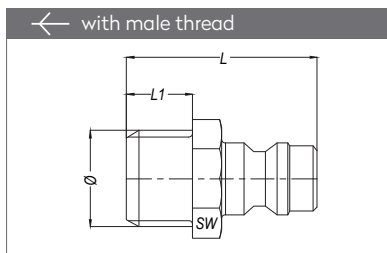
| With Valve | Without Valve | Ød1 | Ød4 | Ød2 | Ød3 | Ød | L | L1 | L2 |
|----------------|---------------|-----|-----|-----|-----|----|-----|------|------|
| CSK 010-KG 125 | SK 010-KG 125 | 10 | 8 | 20 | 6 | 20 | 125 | 43.5 | 35.5 |
| CSK 010-KG 250 | SK 010-KG 250 | 10 | 8 | 20 | 6 | 20 | 250 | 43.5 | 35.5 |
| CSK 010-KG 500 | SK 010-KG 500 | 10 | 8 | 20 | 6 | 20 | 500 | 43.5 | 35.5 |



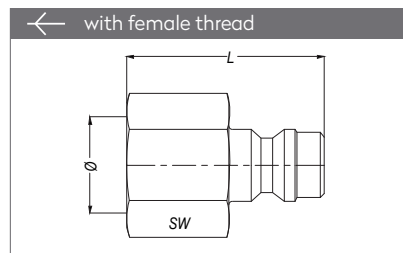
| With Valve | Without Valve | Ød | L | Ød1 | Ød2 |
|---------------|---------------|----|------|-----|-----|
| CSK 010 KG 00 | SK 010 KG 00 | 10 | 43.5 | 20 | 20 |

| Part No. for the brass tube | Outer Ød | Thickness | Lenght |
|-----------------------------|----------|-----------|--------|
| 010 KPB 125 | 8 | 1 | 125 |
| 010 KPB 250 | 8 | 1 | 250 |
| 010 KPB 500 | 8 | 1 | 500 |

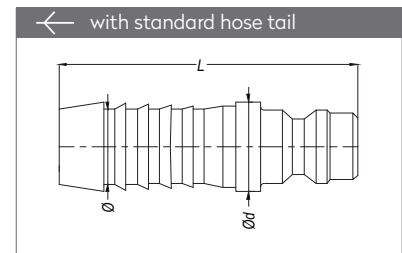
PLUGS STECKNIPPEL



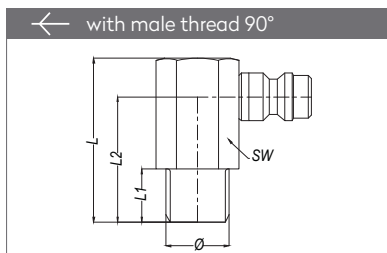
| Part no. | Ø | SW | L | L1 |
|-----------|----------|----|----|----|
| 010 EU 10 | BSP 1/8" | 11 | 24 | 7 |
| 010 EU 13 | BSP 1/4" | 14 | 26 | 9 |



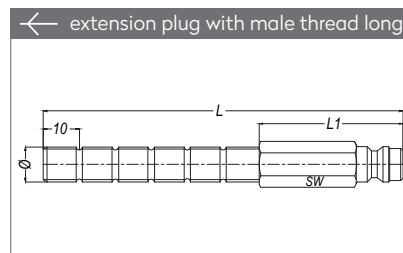
| Part no. | Ø | SW | L |
|-----------|----------|----|----|
| 010 DU 10 | BSP 1/8" | 14 | 23 |
| 010 DU 13 | BSP 1/4" | 17 | 27 |



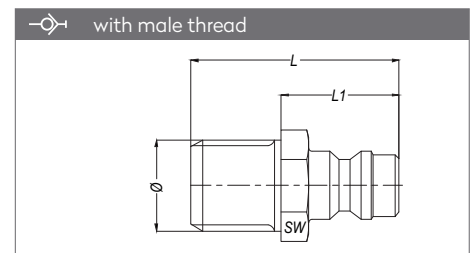
| Part no. | Ø | Ød | L |
|-----------|-----|----|----|
| 010 HU 10 | Ø10 | 12 | 40 |
| 010 HU 13 | Ø13 | 15 | 40 |



| Part no. | Ø | SW | L | L1 | L2 |
|---------------|----------|----|----|----|------|
| 010 EU 10-90° | BSP 1/8" | 11 | 25 | 7 | 18.5 |
| 010 EU 13-90° | BSP 1/4" | 15 | 34 | 11 | 26 |



| Part no. | Ø | SW | L | L1 |
|---------------|----------|----|-----|----|
| 010 BL 10x50 | BSP 1/8" | 11 | 50 | 40 |
| 010 BL 10x100 | BSP 1/8" | 11 | 100 | 40 |
| 010 BL 13x50 | BSP 1/4" | 14 | 50 | 40 |
| 010 BL 13x100 | BSP 1/4" | 14 | 100 | 40 |



| Part no. | Ø | SW | L | L1 |
|------------|----------|----|----|----|
| 010 EUB 13 | BSP 1/4" | 14 | 30 | 17 |
| 010 EUB 17 | BSP 3/8" | 17 | 30 | 17 |

VALVED PLUGS VERSCHLUßNIPPEL