

SERIE 070



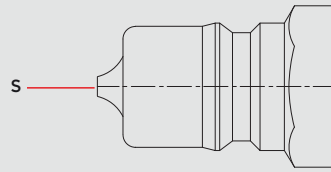
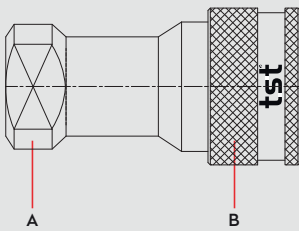
ISO 7241-1 SERIE B



DN 4-19

SERIE 070

 WATER COUPLINGS
 WASSERKUPPLUNGEN

Materials

Material Code

A = Brass

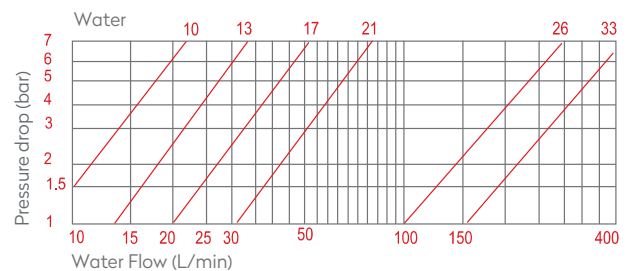
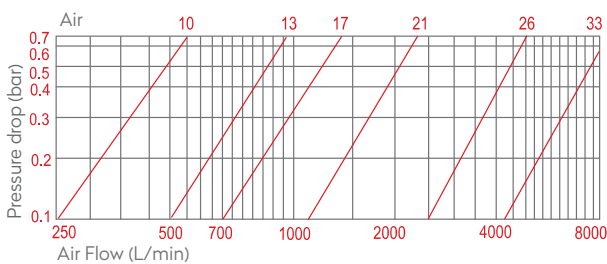
B = Brass

S = Brass

DN	4 mm - 1/8"	6 mm - 1/4"	7.5 mm - 3/8"	11 mm - 1/2"	13 mm - 3/4"	19 mm - 1"
Brass	300 bar	200 bar	200 bar	180 bar	130 bar	130 bar
Steel	345 bar	520 bar	345 bar	345 bar	280 bar	280 bar
St. Steel	280 bar	380 bar	260 bar	260 bar	210 bar	210 bar
FLOW	10 lt/min	25 lt/min	50 lt/min	90 lt/min	220 lt/min	260 lt/min
COUPLING PLUS	OM 178-00290-90 OM 200-01100	OM 200-01400 07013VC-00M	OM 262-01870 07017VC-00M	OM 300-02300 07021VC-00M	OM 353-03134 07026VC-00M	OM 400-03700 07033VC-00M
	OM 178-00290-90	07013VC-00M	07017VC-00M	07021VC-00M	07026VC-00M	07033VC-00M



-40°C to + 105°C (NBR)

DN
4-19 mm
ISO 7241-1 SERIE B
**Shut Off
Type**

Options
E1
STEEL
AISI316

Stainless Steel

FPM
NICKEL
EPDM
AISI303

Stainless Steel

VA
Applications
Compatible with

HANSEN

HK SERIE

PARKER

60 SERIE

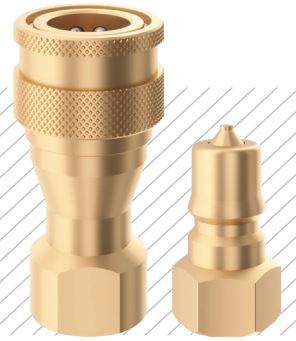
RECTUS

70 SERIE

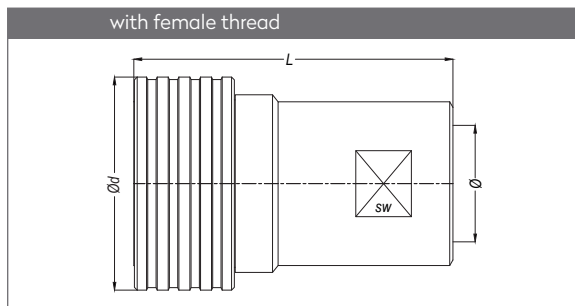
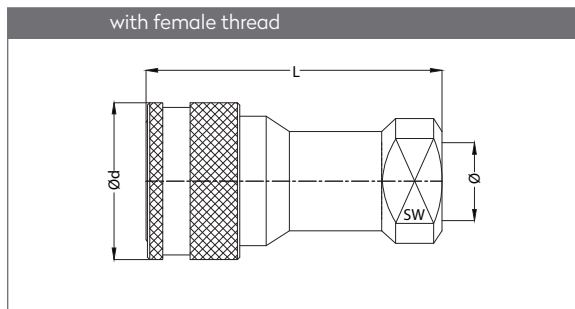
FASTER HNVSERIE ISO 7241-1 SERIE B



AISI 303, AISI 316Ti

SERIE 070



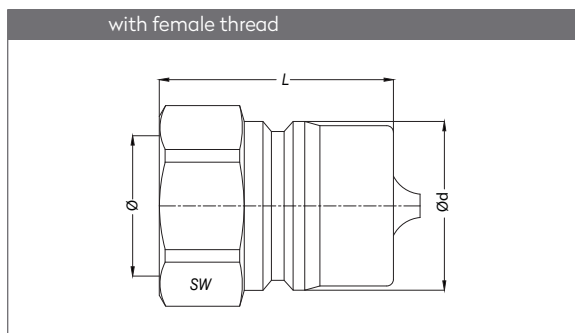
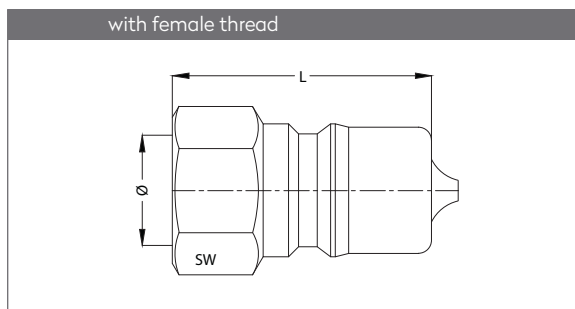
QUICK COUPLINGS SCHNELLKUPPLUNGEN






 Double Shut-off	 Full Flow	Ø	SW	Ød	L
070 DGB 10	070 DGF 10	BSP 1/8"	14	24	48
070 DGB 13	070 DGF 13	BSP 1/4"	19	28.2	55.3
070 DGB 17	070 DGF 17	BSP 3/8"	22	34	64
070 DGB 21	070 DGF 21	BSP 1/2"	28	42	71.5
070 DGB 26	070 DGF 26	BSP 3/4"	34	52	94
070 DGB 33	070 DGF 33	BSP 1"	41	60	106

 Double Shut-off	DN	Ø	SW	Ød	L
063.25 DGB 42	25	BSP 1 1/4"	54	76.8	115
063.27 DGB 48 - P1	27	BSP 1 1/2"	58	86.8	138
063.30 DGB 48	30	BSP 1 1/2"	63	86	124

PLUGS STECKNIPPEL



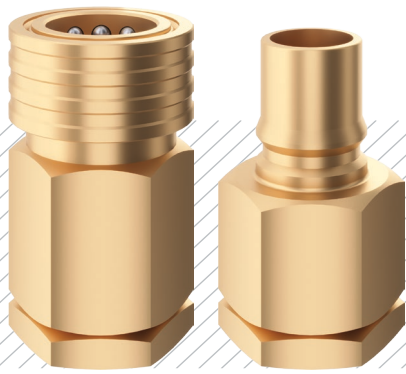
 Double Shut-off	 Full Flow	Ø	SW	L
070 DUB 10	070 DUF 10	BSP 1/8"	14	29.5
070 DUB 13	070 DUF 13	BSP 1/4"	19	35
070 DUB 17	070 DUF 17	BSP 3/8"	22	39
070 DUB 21	070 DUF 21	BSP 1/2"	27	44
070 DUB 26	070 DUF 26	BSP 3/4"	36	60
070 DUB 33	070 DUF 33	BSP 1"	41	65.5

 Double Shut-off	DN	Ø	SW	Ød	L
063.25 DUB 42	25	BSP 1 1/4"	55	50.5	70
063.27 DUB 48 - P1	27	BSP 1 1/2"	58	56	80
063.30 DUB 48	30	BSP 1 1/2"	63	58.5	72

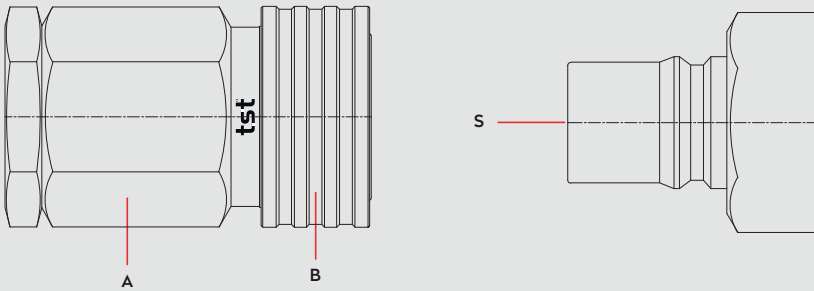
WATER COUPLINGS
WASSERKUPPLUNGEN

DN 32-50

SERIE 070



Materials



Material Code

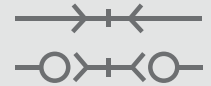
A = Brass

B = Brass

S = Brass

DN	32 mm - 1 1/4"	38 mm - 1 1/2"	50 mm - 2"	50 mm - 2 1/2"	
Brass	60 bar	55 bar	50 bar	50 bar	
Steel	120 bar	150 bar	105 bar	105 bar	
St. Steel	120 bar	150 bar	105 bar	105 bar	
FLOW	760 lt/min	850 lt/min	1000 lt/min	1000 lt/min	
	COUPLING	TC-4500-3780-12 OM 262-02455 OM 262-04570 OM 400-03700	TC-5020-4450-13 OM 262-02900 OM 262-05365 OM 353-04405	TC-7220-6350-15 OM 353-07260 OM 534-06285 OM 400-04500	TC-7220-6350-15 OM 353-07260 OM 534-06285 OM 400-04500
	PLUG	OM 262-02455 OM 262-04570	OM 262-02900 OM 262-05365	OM 353-07260	OM 400-04500

Shut Off Type



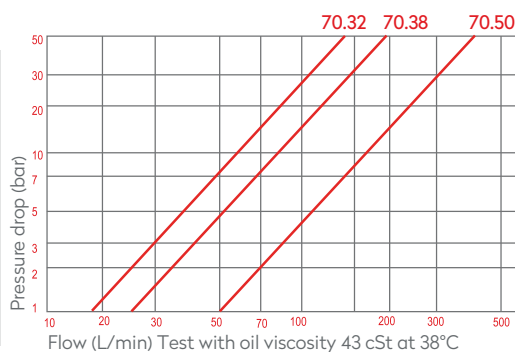
DN 32-50 mm



-40°C to + 105°C (NBR)

Options

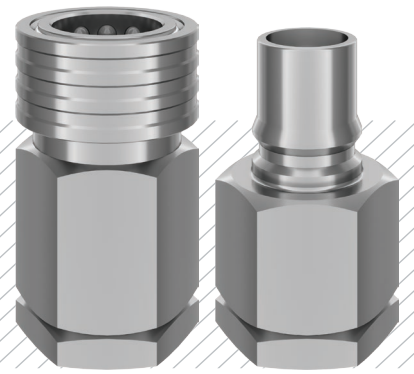
E1	STEEL	AISI316 Stainless Steel	FPM
NICKEL	EPDM	AISI303 Stainless Steel	



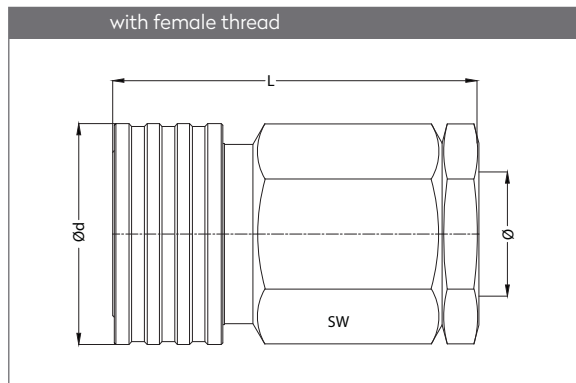
Compatible with



HANSEN	HK SERIE
PARKER	60 SERIE
RECTUS	70 SERIE
FASTER	HNV SERIE

SERIE 070

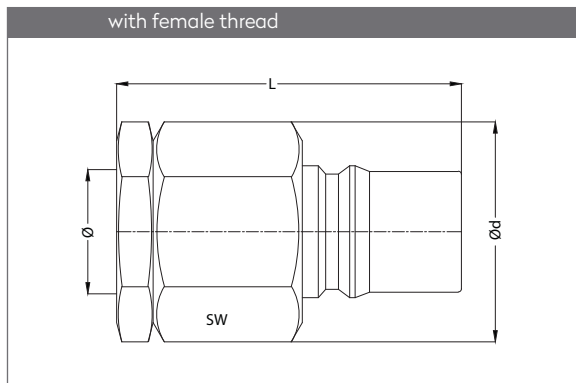




QUICK COUPLINGS SCHNELLKUPPLUNGEN



 Double Shut-off	 Full Flow	DN	Ø	SW	Ød	L
070.32 DGB 42	070.32 DGF 42	32	BSP 1 1/4"	60	69	114.8
070.38 DGB 48	070.38 DGF 48	38	BSP 1 1/2"	65	74.2	125
070.50 DGB 60	070.50 DGF 60	50	BSP 2"	90	105	142
070.50 DGB 75	070.50 DGF 75	50	BSP 2 1/2"	90	105	165.5

PLUGS STECKNIPPEL



 Double Shut-off	 Full Flow	DN	Ø	SW	Ød	L
070.32 DUB 42	070.32 DUF 42	32	BSP 1 1/4"	60	69	108.1
070.38 DUB 48	070.38 DUF 48	38	BSP 1 1/2"	65	69	125
070.50 DUB 60	070.50 DUF 60	50	BSP 2"	90	97	142
070.50 DUB 75	070.50 DUF 75	50	BSP 2 1/2"	90	97	165.5